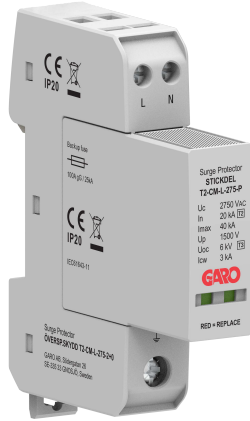


Surge Arrester Type 11.

Part numbers: GPT T2-275-2-0



Location of Use: Sub-Distribution Boards/ Consumer units
 Network Systems: TN-C-S
 Mode of Protection: L, N-PE
 Surge Ratings: $I_n = 20\text{ kA (8/20 }\mu\text{s)}$
 IEC/EN/UL Category: Class II / Type 2 / Type 1CA
 Protective Elements: High Energy MOV
 Housing: Pluggable Design
 Compliance: IEC 61643-11:2011

EN 61643-11:2012
 UL 1449 4th Edition

Technical Data

275

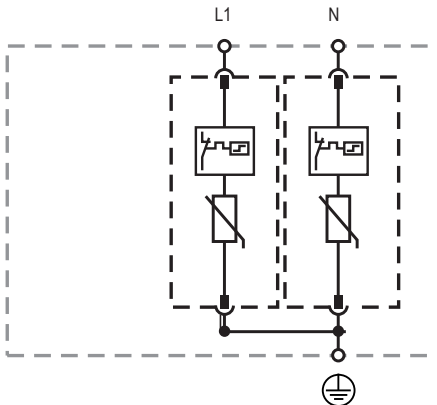
(2 Poles)

IEC Electrical

Nominal AC Voltage (50/60Hz)	U_o/U_n	240V
Maximum Continuous Operating Voltage (AC)	U_c	275V
Nominal Discharge Current (8/20 μs)	I_n	20kA
Maximum Discharge Current (8/20 μs)	I_{max}	40kA
Voltage Protection Level	U_p	1500V
Back-Up Fuse (max)		100AgG
Short-Circuit Current Rating (AC)	I_{SCCR}	25kA

Mechanical & Environmental

Operating Temperature Range	T_a	-40 °F to +185 °F [-40 °C to +85 °C]
Permissible Operating Humidity	RH	5%...95%
Altitude		6562 ft [2000m]
Terminal Screw Torque	M_{max}	10mm2/ 1.2Nm, 35mm2 / 2Nm
Conductor Cross Section (max)		L, N 10mm (Solid, Stranded) PE 35mm (Solid, Stranded)
Mounting		35mm DIN Rail, EN 60715
Degree of Protection		IP 20 (built-in)
Housing Material		Thermoplastic: Extinguishing Degree UL 94 V-0
Thermal Protection		Yes
Operating State / Fault Indication		Green Flag / Not Green Flag
Remote Contacts (RC)		No





Dokument/document Föräran om oeren i ämmele Deklaration om konformitet		Utgava datum/edition date 2023-10-04
Avdelning/department Qualitealit		
Ansvarig/prepared Magnus Arvidsson	Version 2	Sida/page 1 av 1

Supplier/Tillverkare:

GARO AB
Box 203
S-335 25 GNOSJO
Sweden

Telephone: +46 (0)370 33 28 00
Telefax: +46 (0)370 33 28 50

Supplier established within EU/Ombud etablerad inom EG

Supplier of equipment /Materielslag : Surge Protection Devices

Trade Mark/ Varumärke: GARO

Type Designation / Typbeteckning: GPT T2

We hereby declare that our product fulfils the requirements of following EC directives/
Vi intygar härmed att vår produkt uppfyller krav enligt följande EU direktiv:

- The Low Voltage Directive (LVD) 2014/35/EU I Lågspänningsdirektivet (LVD) 2014/35/EU.
- Electromagnetic compatibility (EMC) 2004/108/EU/Elektromagnetisk kompatibilitet (EMC) 2004/108/EG.
- RoHS Directive (RoHS) 2011/65/EU /RoHS direktivet (RoHS) 2011/65/EG.
- No electromagnetic compatibility (EMC) immunity or emission tests are required on the assembly/Produkten innehåller inte elektroniska apparater som påverkas enligt förbehållen enligt direktivet (EMC) 2004/108/EG.

The following harmonised standards (latest edition) or technical specifications which comply with good engineering practice in safety matters in force within the EU have been used in the design: EN61643-1
Följande harmoniserade standarder (senaste utgåva) eller tekniska specifikationer som uppfyller god säkerhetsteknik praxis inom EG har använts i konstruktionen: EN 61643-1

The equipment conforms completely with the above stated harmonised standards or technical specifications./
Materielen överensstämmer helt med ovan angivna harmoniserade standarder eller tekniska specifikationer.

Or/eller

- The equipment confirms only partially with the above stated harmonised standards or technical specifications but complies with good practice in safety matters in force within the EU./
Materielen överensstämmer endast delvis med ovan angivna harmoniserade standarder eller tekniska specifikationer, men uppfyller god säkerhetsteknik praxis inom EG.

We have product surveillance according to CENELEC's harmonised requirements, documents CCA-201.

Garo AB
Company/Företag

2023-10-04
Date/Datum

Sign/Underskrift

Environmental- and Quality Manager/Kvalitets- och Miljöchef
Position/Befattning

Magnus Arvidsson
Name / Namnförtydligande